

Runway Use Report

Chicago Midway International Airport

Period: October 2010

Time of Day: All Hours



Runway Utilization (All Hours)

Source: Airport Noise Management System (ANMS)

**Runway
Flight Direction**

Average Daily Operations

Departures

- October 2010
- 12 Month Average

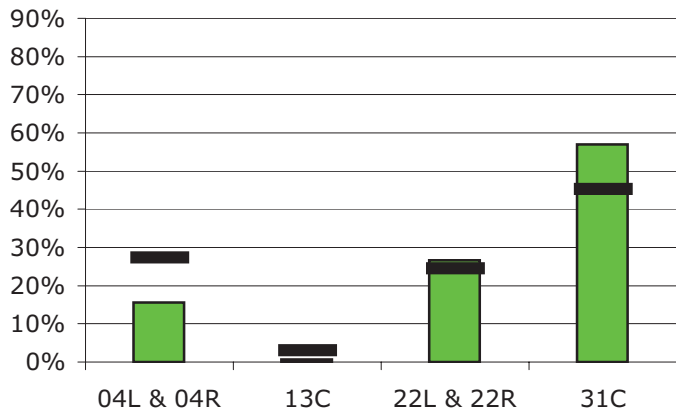
Arrivals

- October 2010
- 12 Month Average

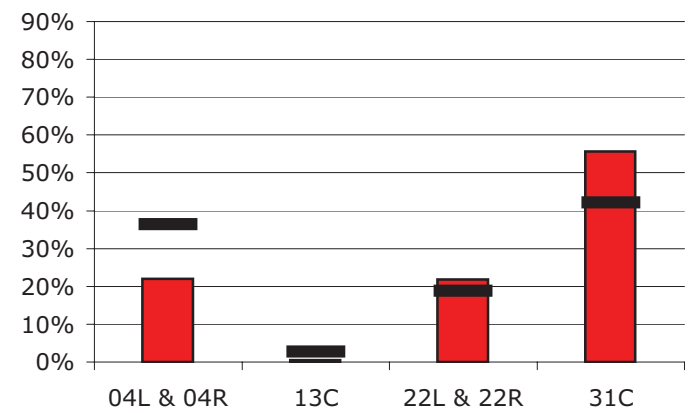
Runway Utilization (All Hours)

04L & 04R	13C	22L & 22R	31C
<u>NE</u>	<u>SE</u>	<u>SW</u>	<u>NW</u>
51	2	87	186
84	9	75	139
73	2	72	183
115	9	59	133

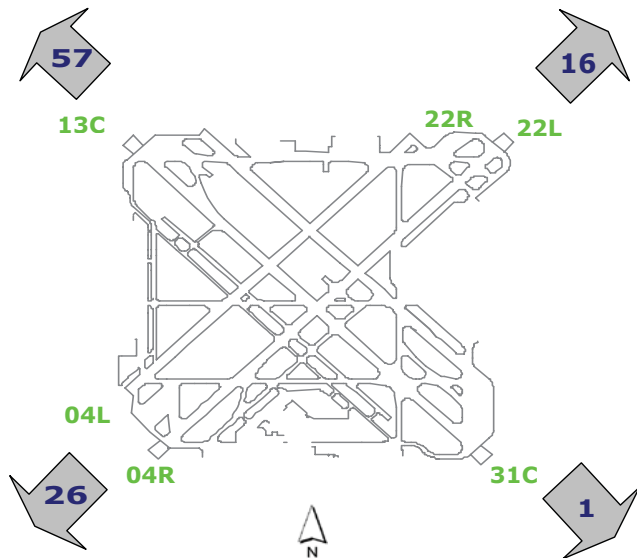
Departures (All Hours)



Arrivals (All Hours)



Percentage Departure Utilization



Percentage Arrival Utilization

