

Runway Use Report

Chicago Midway International Airport

Period: June 2010

Time of Day: All hours



Runway Utilization (All Hours)

Source: Airport Noise Management System (ANMS)

Runway
Flight Direction

Average Daily Operations

Departures

- June 2010
- 12 Month Average

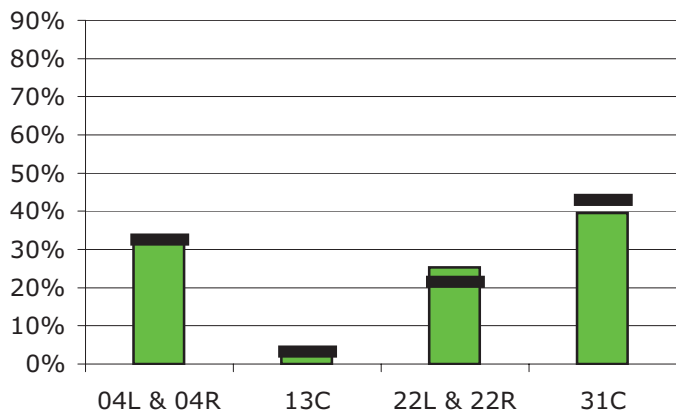
Arrivals

- June 2010
- 12 Month Average

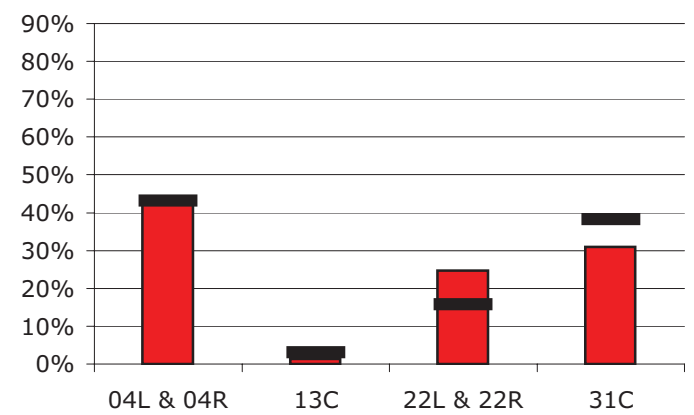
Runway Utilization (All Hours)

04L & 04R	13C	22L & 22R	31C
<u>NE</u>	<u>SE</u>	<u>SW</u>	<u>NW</u>
110	8	85	133
100	10	66	132
149	5	86	108
137	10	50	121

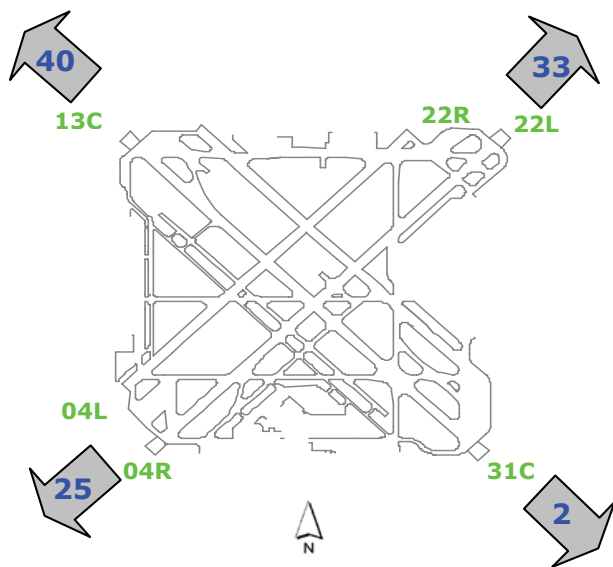
Departures (All Hours)



Arrivals (All Hours)



Percentage Departure Utilization



Percentage Arrival Utilization

