

# Runway Use Report

Chicago Midway International Airport

Period: February 2010

Time of Day: All hours



## Runway Utilization (All Hours)

Source: Airport Noise Management System (ANMS)

**Runway  
Flight Direction**

**Average Daily Operations**

**Departures**

- February 2010
- 12 Month Average

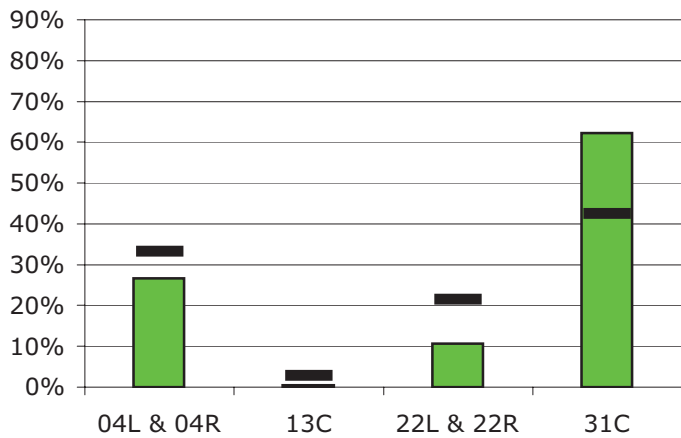
**Arrivals**

- February 2010
- 12 Month Average

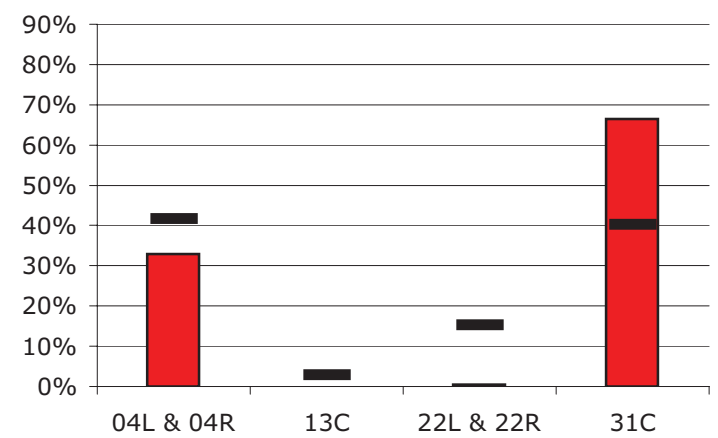
### Runway Utilization (All Hours)

04L & 04R <i>NE</i>	13C <i>SE</i>	22L & 22R <i>SW</i>	31C <i>NW</i>
73	1	29	170
101	9	65	130
93	0	1	188
130	9	48	126

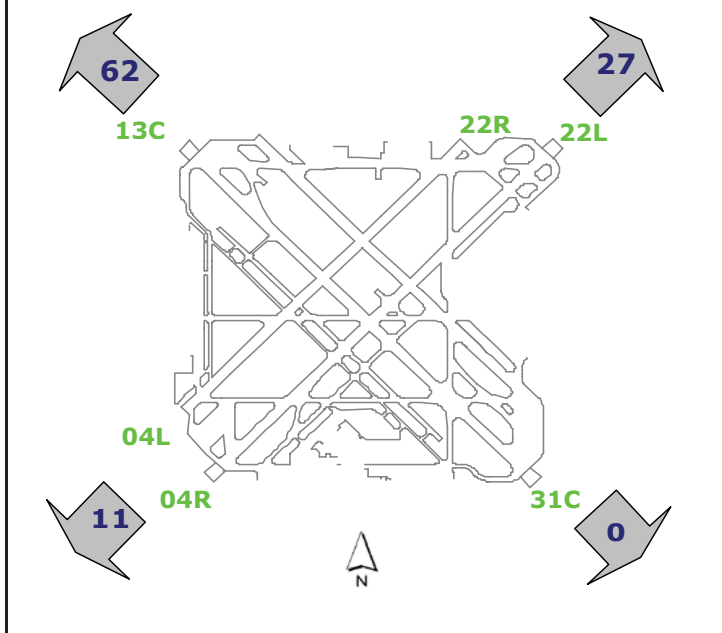
## Departures (All Hours)



## Arrivals (All Hours)



## Percentage Departure Utilization



## Percentage Arrival Utilization

