

# Runway Use Report

Chicago Midway International Airport

Period: August 2010

Time of Day: All hours



## Runway Utilization (All Hours)

Source: Airport Noise Management System (ANMS)

**Runway  
Flight Direction**

**Average Daily Operations**

**Departures**

- August 2010
- 12 Month Average

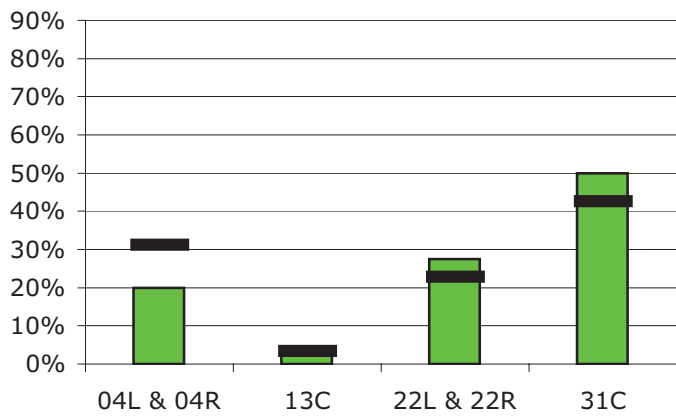
**Arrivals**

- August 2010
- 12 Month Average

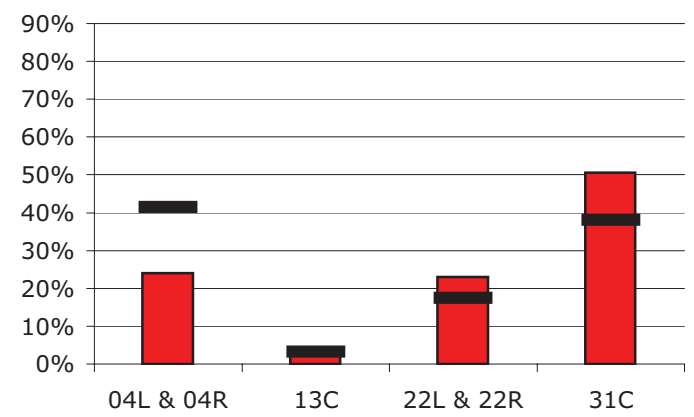
### Runway Utilization (All Hours)

04L & 04R	13C	22L & 22R	31C
<u>NE</u>	<u>SE</u>	<u>SW</u>	<u>NW</u>
62	8	86	157
96	10	70	131
77	7	74	163
131	10	55	120

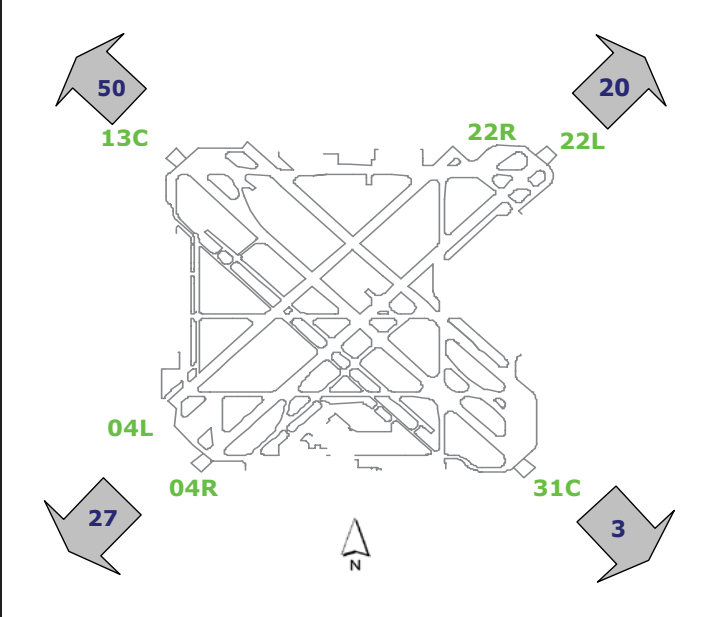
## Departures (All Hours)



## Arrivals (All Hours)



## Percentage Departure Utilization



## Percentage Arrival Utilization

