

Runway Use Report

Chicago Midway International Airport

Period: April 2010

Time of Day: All hours



Runway Utilization (All Hours)

Source: Airport Noise Management System (ANMS)

Runway
Flight Direction

Average Daily Operations

Departures

- April 2010
- 12 Month Average

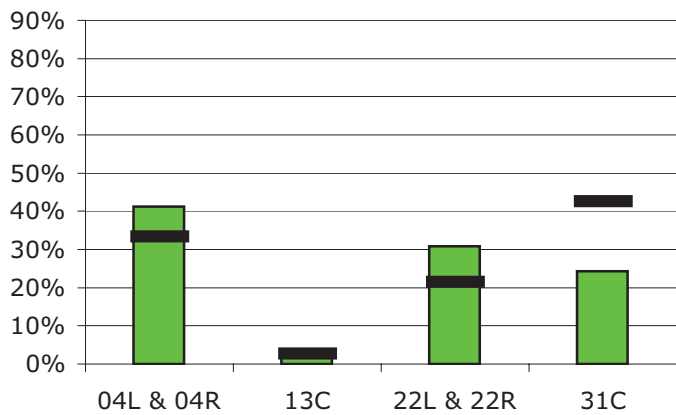
Arrivals

- April 2010
- 12 Month Average

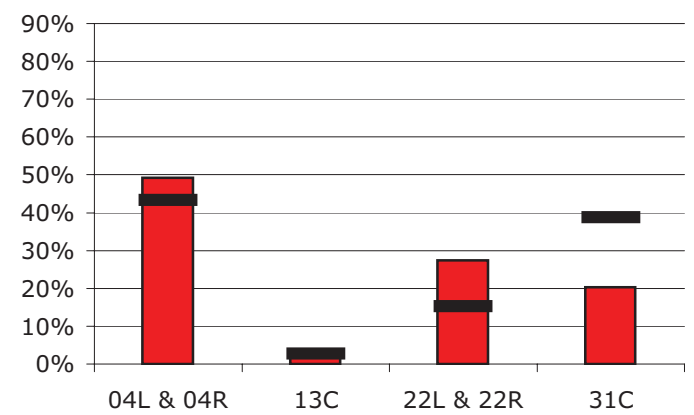
Runway Utilization (All Hours)

04L & 04R	13C	22L & 22R	31C
<i>NE</i>	<i>SE</i>	<i>SW</i>	<i>NW</i>
133	12	100	79
102	8	66	131
165	11	92	68
137	9	48	123

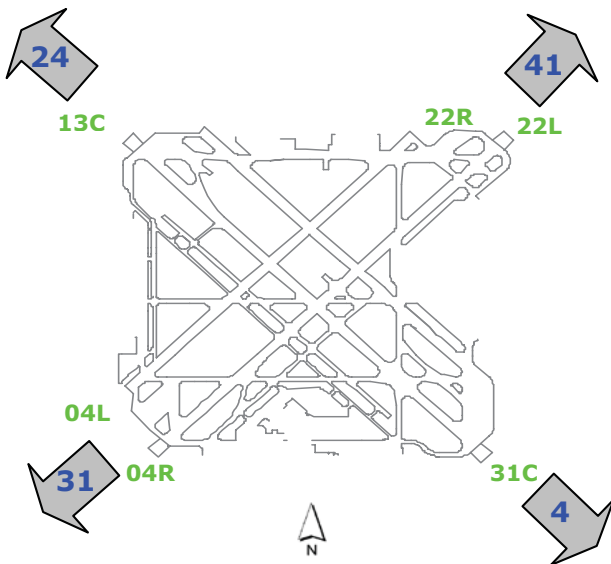
Departures (All Hours)



Arrivals (All Hours)



Percentage Departure Utilization



Percentage Arrival Utilization

